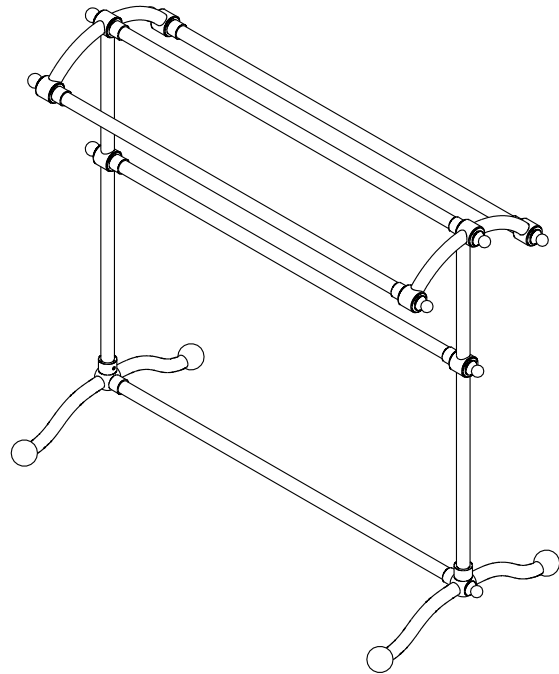


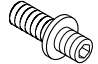

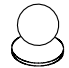



Pedestal 3-Tier T Type Towel Rack Installation

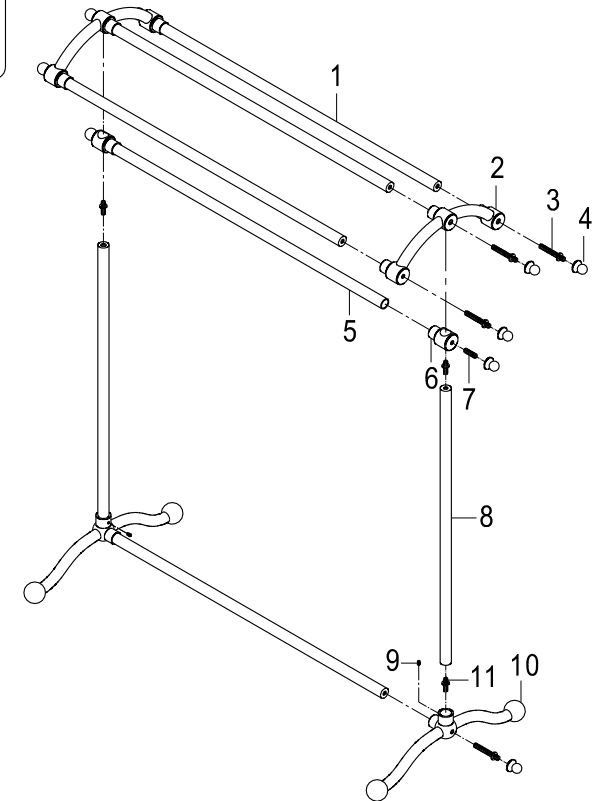


Parts:

Bolt			Set Screw	Sift Head	
1	2	3	4	5	6
					
# 3	# 7	# 11	# 9	# 4	# 6
8 Pcs	2 Pcs	4 Pcs	2 Pcs	10 Pcs	2 Pcs

www.kingstonbrass.com
 TOLL-FREE CUSTOMER SERVICE: 1-877-2-KBRASS
 TECHNICAL SUPPORT E-mail: service@kingstonbrass.com
 12775 Reservoir Street, Chino, CA91710

TOOLS REQUIRED



Installation Steps:

NOTE: The shorter poles (#8) are for vertical installation and the longer poles (#1 & 5) are for horizontal installation.

Step 1. Find the two top rack assembly pieces (#2) and install three horizontal poles (#1) to them. Secure the poles in place by using screws (#3), cover the exposed ends of the screws with the ball end caps (#4).

Step 2. Attach the vertical poles (#8) to the top assembly rack with screws (#11).

Step 3. Slide the slide bar caps (#6) onto both vertical poles, insert the horizontal pole (#5) and secure the caps in place by using short bolts (#7), do not tighten yet.

Step 4. Attach the two base assembly pieces (#10) to the vertical poles (#8) with screws (#11). Insert the horizontal pole (#5) into the base assembly (#10) and secure with screws (#3). Cover the exposed ends of the screws with the ball end caps (#4) and secure the base assembly pieces (#10) to the vertical poles (#8) with set screws (#9).

NOTE: The middle slide bar (#5) may need to be moved up or down to help with inserting the base pole.

Step 5. Position the middle slide bar (#5) to preferred position and tighten the short bolts (#7). Cover the exposed ends with the ball end caps (#4).

Cleaning

Clean with a damp cloth only.
 Avoid using metal or abrasive polishes.